

caroma®

Industry Jargon Defined

# Industry Jargon Defined

This guide has been provided by Caroma to help make your product selection as easy and painless as possible. While these guidelines will help you understand the variations in bathroom fittings, the information is given as an advisory capacity only. Reference must be made to AS/NZS 3500.2.2 and associated information issued by the various statutory authorities for application to specific installations. We recommend a licensed plumber is consulted prior to purchase and to install your products to ensure the correct fittings are selected and to comply with any laws, regulations and warranty conditions related to these products and the bathroom area.



**"We recommend a licensed plumber is consulted prior to purchase and to install your products..."**

# B a s i n s

## Wall Basins

A basin that is fixed direct to the wall, which does not require a vanity for installation. These are ideal for saving space and offers a minimalist look to the bathroom.



## Pedestals

A basin pedestal is an optional extra for a wall basin, it sits between the basin and the finished floor of the bathroom, often used to conceal plumbing and offer a unique designer appearance. The pedestal does not however support the basin and does not sit flush against the wall (there is a small gap).



## Shrouds

A basin shroud has the same function as a basin pedestal but is shorter in length, designed only to conceal the plumbing fittings. The shroud also does not sit flush against the wall (there is a small gap).



## Vanity Basin

A vanity basin requires a vanity to be constructed for installation. These basins are not standalone products (as are wall basins), but rather can be complimented by the vanity to create a functional bathroom experience. There are different types of vanity basins:

### Self Rimming Vanity Basin

Installed directly into a vanity, with a self rimming design to fit flush to the top surface of the vanity.



### Above Counter Vanity Basin

These basins are installed on top of the vanity surface.



### Under Counter Vanity Basin

Installed underneath the vanity level, creating a streamlined minimalist look.



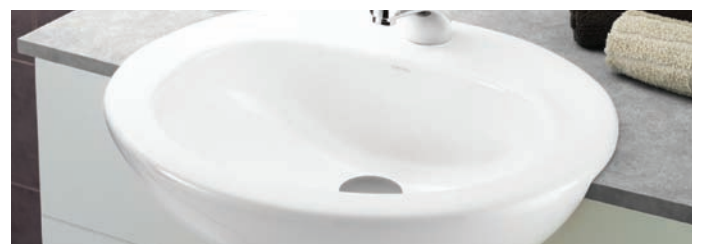
### Inset Vanity Basin

Are installed into the vanity basin similar to a self rimming vanity basin but give the look of an above counter basin



### Semi-Recessed Vanity Basin

Designed to give more usable vanity space, these basins overhang the vanity basin.



# Tapholes

Most Basins come with the option of One, Two or Three Tapholes. Depending on your design preference, a suitable 3 Piece tapware Set, Tapware Mixer or Pillar Tap Set

## No Tapholes

Abbreviation: NTH or OTH

Suitable Tapware: Wall or hob (in the bench top) mounted mixers or tapware



## One Taphole

Abbreviation: 1TH

Suitable Tapware: Basin Mixer



## Two Tapholes

Abbreviation: 2TH

Suitable Tapware: Pillar Taps



## Three Tapholes

Abbreviation: 3TH

Suitable Tapware: Three Piece Tapware



# Toilet Suites

There are several types of toilet suites designed to suit different installations and design preferences.

## Toilet Pans

Caroma 4.5/3 litre pans are manufactured in vitreous china to comply with Australian Standard AS 1172.1-1993 and are of the wash down type which are more water efficient than various types of pans used in other areas of the world. Wash down pans are the normal type pans used in Australia and throughout Europe.

In Australia there are normally three versions of each pan model – Either S-trap, P-trap or Skew trap.

## P-Trap Pans

P-trap version pans have either a horizontal or angled outlet spigot which connects directly into a pan collar mounted on the wall.



## Trap

Fitting which is designed to retain a volume of waste as a 'water seal' for the purposes of allowing further flow of waste water through the fitting while preventing the sewer gasses from entering a habitable room or area.

## S-Trap Pans

S-trap version pans are the highest volume installed in Australia. The pan is easily identified with the outlet spigot of the trap connecting directly into a floor mounted pan collar.



## Skew Trap Pans

Skew trap version pans are available in left and right hand models with a horizontal or angled outlet spigot which is offset at 90° which connects directly into a pan collar mounted on a side wall. The range of Caroma skew trap pans is limited to the Concorde pan and the Profile Skew close-coupled pan. Identification of whether left or right hand skew is when facing the pan from the front.



## Shrouded Trap Pans

A pan with a shrouded trap is more up market than a common pan and offers the features of improved design and ease of cleaning. The close-coupled Caravelle and Profile pans as well as the Trident pan all have shrouded traps.



## Closed-Coupled Suites

A suite where the pan and the cistern are usually joined together with the flush pipe concealed. The majority of Caroma products are close-coupled in either vitreous china or plastic cistern versions.



## Wall Faced Pan

A pan which can be installed with the back face of the pan fitting directly against the finished wall. Wall faced pans are used widely for commercial and up market domestic applications offering ease of cleaning and improved design.



## Wall Hung Pan

A wall-hung pan bolts directly to the finished wall, clear of the floor surface for ease of cleaning. This feature makes the pan ideal for use in commercial application. The installer must be aware of the critical installation requirements. Available in P-trap only.



## Boxed Rim Pan

A boxed rim pan has a closed water rim with inlet holes around the underside of the rim directing water into the bowl of the pan. These pans are quieter in operation than open rim pans and are more versatile with accommodating cisterns of varying head height without splashing problems, the Leda and Walvit pans are boxed rim type

## Open Rim Pan

An open rim pan has a flushing rim which is open and directs water to the front of the pan allowing water to fall freely over the bowl to wash the surfaces.

# Toilet Cisterns

All Caroma Cisterns are manufactured in either vitreous china or plastic to comply to Australian Standard AS1172.2 and are of the underwater valve type.

Note: The majority of water authorities require 3 to 4 star WELS rated dual flushing volumes for matched pans and cisterns. Check with your local authority before choosing or specifying single flushvalve or cistern installations.

## Exposed Cistern

Exposed cisterns are fixed directly to the finished wall and are available as close coupled versions (fixed directly to the pan) or by means of a flush pipe (connector). When fixed directly to the pan, the pan waste setout is normally fixed unless the pan is adjustable. The waste setout of a pan using a flush pipe is flexible as the flush pipe can be cut to the required length.

## Closed-Coupled Cistern

A cistern which fits directly to the pan. The pan is a top entry type with the outlet of the cistern fitting directly on the top inlet of the pan. Caroma offers both vitreous china and plastic close coupled cisterns. Newer cisterns are bolted directly to the pan and are not fixed to the wall. This provides a better seal between cistern and pan as wall mounted cistern seals can be affected by walls being out of square.

## Connector Cistern

A cistern which is connected to the pan with the normal flush pipe assembly. A plastic bridging connector plate is fitted to conceal the flush pipe which is cut to size with the flush pipe for varying pan setouts. Gives the appearance of a close-coupled suite but provides flexibility regarding setouts. Available for both vitreous china and plastic cisterns.

## Low Level Cistern

A low level cistern installation provides a cistern height of between approximately 900-1100mm and has an exposed flush pipe.

## Mid Level Cistern

A mid level cistern installation provides a cistern height of approximately 1300mm and has an exposed flush pipe. Mid level installations are being phased out in favour of the more acceptable close-coupled and low level installations. Now mainly required for replacement applications.

## Back Inlet Cistern

The water inlet connection for a back inlet cistern is from the wall directly into the back of the cistern. The connection is completely concealed and has an integral stop valve. The Cube, Leda 2000, Geo and Opal II suites are standard as back inlets, with Caravelle 2000 suite being optional.

## Bottom Inlet Cistern

Water connections are to the underside of the cistern via an exposed stop cock. Right hand versions, convertible to left hand are available in most cistern models. This is the standard inlet connection system used throughout Australia.

## Inwall Cistern

The latest in European design and the preference in modern Australian bathrooms. The inwall cistern is fitted into the Structural slab wall cavity with access to service the cistern via a cover panel. The Invisi inwall cistern fits into a wall cavity of 75mm and is available in single or dual flush. Flushing buttons can be up to 4 metres from the cisterns when connected to an extended neumatic tube. When an S-trap waste outlet is concealed in the wall, cavity width must be 150mm.



## Induct Cistern

The induct cistern is fitted into the service duct behind the pan with an access to the cistern via the duct. Two models are available in the Caroma range, Invisi and Slimline induct cisterns.

## Undercounter Cistern

The under counter cistern is fitted under the vanity counter. The Invisi II Under Counter, Slimline Induct and Compact Under Counter cisterns are available in the Caroma range.

## Inceiling Cistern

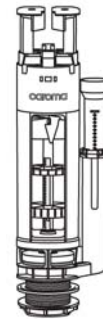
The inceiling cistern is fitted into the ceiling cavity with access to the service via a ceiling panel. Due to the flushing head height use only box rim type pans. The remote push button Invisi II and Invisi inceiling cisterns are available for this application.

## Inlet Valve

Controls the delivery of water into the cistern. A super quiet fast fill inlet valve is available with some cistern models. There are two types of inlet valves available with Caroma cisterns:

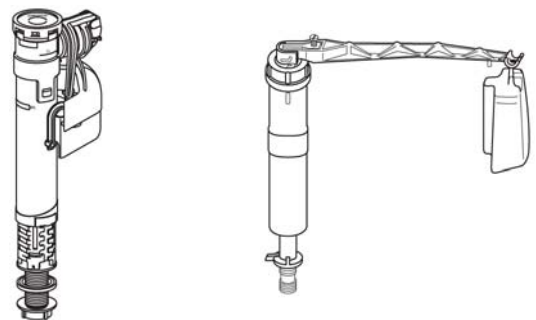
### *Standard Type Whisper Quiet Inlet Valve*

Provides proven trouble Solitaire Inlet Valve free performance. Inlet valves can be changed from left to right or conversely depending on position of water inlet connection.



### *Quietflow 2 Inlet Valve*

Provides proven trouble free performance Inlet valves can be changed from left to right or conversely depending on position of water inlet connection.



## Outlet Valve

The outlet valve when activated controls the volume of water delivered from the cistern to the pan. The majority of Caroma cisterns are available as standard with Caroma Smartflush 4.5 litre dual flush outlet valves.

# Bidettes

A bidette is used to wash personal areas of the body and provides greater hygiene benefits to the user. Available with over the rim spray which provides an air gap and therefore can be connected directly to the mains potable water supply.



# Slophopper

A slophopper is used to discharge waste materials and is mainly used in hospitals (bedpan discharge), and functions in a similar manner to a toilet pan and is available in S and P-trap options for pedestal pans and P-trap for wall-hung model.



# Seats

## Soft Close Seat

Caroma Soft Close seats have a unique hinge design that closes the seat slowly and quietly when dropped.

## Blind Fixings

Blind fixing conceals the fixing bolts by placing them on the underside of the pan or by using a cover to give a more aesthetically pleasing look to your toilet suite.

## Standard Fixings

Exposed fixings

# Care

Caroma leads the way in innovative bathroom technology. Our special range of 'care' products are helping mature Australians age with dignity by being able to remain independent and stay in their own homes longer.

By understanding the needs associated with aged care and disabled applications, we have developed a range of products that include toilets, toilet seats, basins, taps, mixers and showers. With superior functionality, the Caroma Care range offers practicality, without compromising on style.

Caroma products are also designed to be responsible and sensitive to the environment by being water and energy efficient. All taps, mixers, showers and toilets are WELS approved.

Caroma Care products must comply with the requirements of the standard A.S. 1428-1.

## Caroma Care Basins

Caroma Care Basins offer a diverse range of styles, featuring semi recessed and wall basin types. Caroma Care Basins meet the needs of people with disabilities by ensuring adequate space below the basin for wheelchair access and easy reach to tap mixer or levers.

### *Position of Wash Basin*

The basins must be installed to provide a specified unobstructed circulation and free access space beneath it so that water supply pipes and waste trap fittings do not encroach into the required clear space.

### *Position of Tapware*

For compliance to the Standard the basins must be installed with lever or electronic type tapware. The Caroma Care basin mixers with extended lever or the G Series hospital tap set with 150mm levers are ideal for this application and are recommended. It is a requirement that the end point of the lever throughout its operational arc of movement be not more than 300mm from the front of the basin.

## Caroma Care Toilet Suites

Caroma Care toilet suites are helping to make life easier for mature Australians and people with disabilities. With Invisi™ Series II, wall faced and connector suites, the range has options to meet a diverse range of design requirements. Featuring high toilet pans for easier reach, and large, raised flush buttons for easier activation, Caroma Care suites are practical as well as stylish.

### *Position of the Pan*

For wheel chair access the installed pan must be a minimum of 800 ± 10mm from the front of the pan to the finished wall and provide a seat height of 460 to 480mm. For people with ambulant disabilities the pan can be fitted directly to the existing wall without the need to locally extend the wall.

### *Wall Basins*

Wall basins are ideal for small bathrooms as they create an illusion of space. They also work in powder rooms where grooming activities tend to be limited to hand washing.

Caroma Care Wall Basin installations for people with disabilities complying to A.S.1428-1. The Cube, Cube 550 Shelf RH and LH, Cube 500 Surface, Geo 400, Caravelle 550, Concorde 500 and Flora 500 have been designed for use in installations for people with disabilities when used with suitably designed tapware. The basins feature an optional shroud which protects the user from possible contact with the waste pipe.

### *Semi Recessed Basins*

Semi recessed basins integrate into the cabinetry to create storage and bench space. They create a design statement within any bathroom.

Caroma Care semi-recessed basin installations for people with disabilities complying to A.S.1428-1. The Geo, Caravelle 600 and 550, Liano, Cosmo, Laser and Concorde 500 semi recessed basin options are suitable for use in installations for people with disabilities when used with suitably designed tapware.



### *Position of the Cistern*

The pan is suitable for installation with concealed cisterns providing the circulation space requirement is maintained. The height of the push button must be no greater than 1100mm to the top of the push button and positioned within the push button zone or on the centre line of the pan.

## Caroma Care Toilet Seats

Caroma Care toilet seats are specially designed for care applications with integrated buffers to give extra stability during side way movement. Featuring ergonomic posture design and smooth contours for easy cleaning, the highly durable Caroma Care toilet seats are the ideal choice for mature Australians or people with disabilities.

## Caroma Care Taps & Mixers

All Caroma Care taps and mixers feature a ceramic disc cartridge for smooth, easy activation to assist those with weaker hand mobility as well as providing low maintenance, drip free operation. Caroma Care mixers include an extended lever to provide easy reach, whilst Caroma Care taps include lever handles, ensuring a smooth activation.

## Caroma Care Rail Showers

Caroma rail showers offer a removable handpiece, allowing greater showering flexibility to accommodate care related needs, and easy cleaning of your shower recess. Hygiene is also paramount with a built in easy clean feature, allowing break up of residue to ensure a clean shower head. Caroma rail showers also include a selection of contemporary designs and a swivel hose to prevent kinking and coiling. The Caroma rail showers have a removable handpiece giving the added benefit of being height adjustable, and giving greater flexibility to accommodate care related needs.

# Tapware

## Three Piece Tapware

Three piece tapware includes two handles, one for hot and one for cold and an outlet or spout.



## Mixers

A mixer is also referred to as a mixer tap or Flickmixer. A mixer combines the hot & cold handles and the spout from traditional three piece tapware together in one unit. A lever is used to control the temperature and flow of water.



## Ceramic Disc Cartridges

Ceramic disc cartridges provide precise control over your water mix so you are getting just the right amount of water at the right temperature. Ceramic disc technology also ensures a water-tight seal that eliminates drips, minimises product maintenance and ultimately saves you water and energy over the long term.



## Soft Close Cartridges

A high flow rate of water running through pipes, combined with a mixer that is turned off too quickly, will lead to hydraulic acoustics or what is commonly known as 'water hammer'. The unique soft close technology available on select Caroma mixers eliminates this problem. Soft close operates through a built-in shock absorbing system that gradually slows the rate at which a mixer can be turned off. By eliminating rapid shut-off, there is no chance of experiencing any noise associated with 'water hammer' which means your mixer turns off softly and quietly.

## Econoflow System

The patented Econoflow system available in the Caroma Nordic and Opus mixers ensures better water and energy conservation by releasing 60% of the available flow. For maximum flow the lever is simply raised to its uppermost position.

## Temperature Limiting Device

This innovative feature is available on the Caroma Nordic and Opus mixers, designed for maximum energy savings and safety. A special spring-loaded cartridge ensures that when the mixer is turned on it reaches a predetermined, comfortable temperature level. To go beyond this point, the mixer handle needs to be physically pushed across and held in position to maintain the flow of water at a higher temperature. Also designed for safety, this feature prevents small children from accidental scalding.

# W E L S

The Federal Government's Water Efficiency Labelling and Standards (WELS) Scheme uses a 6 star rating scale to provide consistent water efficiency information for a select range of water-using products. Toilets, Urinals, tapware and mixers for basins, sinks and laundry tubs as well as showers are all included in the Scheme.

With a strong commitment to water saving, Caroma has led the way, being the first to introduce the WELS 3 star rated (6/3 litre), WELS 4 star rated (4.5/3 litre) and recently WELS 5 star rated (Profile 5 with integrated hand basin) toilet suites.

Caroma achieves a high WELS 5-star rating for all its basin mixers and basin sets, WELS 4-star rating for its sink mixers, sink sets and laundry sets and WELS 3-star rating for its showers.

### Tapware



### Toilet Suites



caroma®

Caroma Industries Limited  
Phone 1800 CAROMA (1800 227 662)  
[www.caroma.com.au](http://www.caroma.com.au)

All information contained in this brochure should serve as a guide only. We recommend a licensed plumber is consulted prior to purchase and to install your products to ensure the correct fittings are selected and to comply with any laws, regulations and warranty conditions related to these products and the bathroom area. ©Copyright 2007. Caroma Industries Ltd. ABN 35 000 189 433. All rights reserved. Warning: products in this flyer are the subject of registered designs and patents. ® is a registered trademark of Caroma Industries.